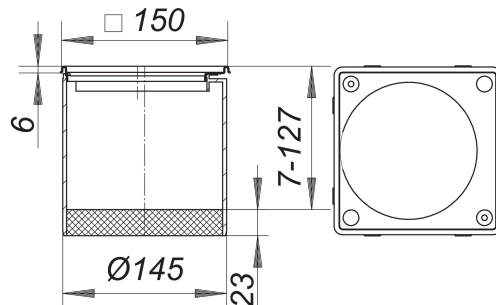


frame VS 15, 150 x 150 mm

Part number: 500663
GTIN: 4001636500663
Rebate group: 3



Description:

frame VS 15, 150 x 150 mm

used with floor drains type 54, 55, 57, 58, 61 and 61/1

frame 304 stainless steel, 150 x 150 mm, with threaded inserts, +/- 15 mm lateral adjustment, spigot polypropylene