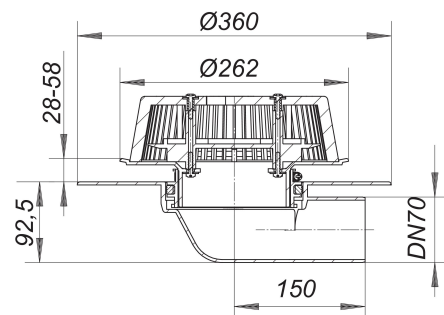


power overflow drain 86 D PVC, DN 70

Part number: 671370
GTIN: 4001636671370
Rebate group: 10



Description:

power overflow drain 86 D PVC, DN 70
conforming to DIN EN 1253

flat overflow drain for use in roofs with minimum 120 mm insulation, moulded in PVC, PVC membranes can be welded to the flange

specification:

- overflow upstand height adjustable 28 - 58 mm
- domed grate, secured

material:

PVC

Spare parts: