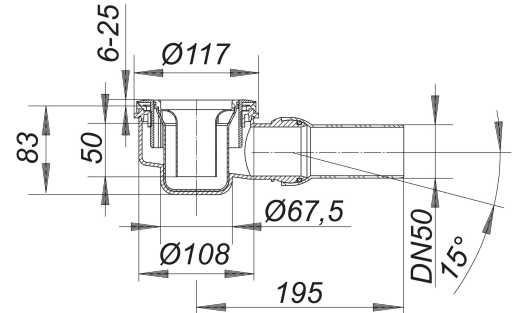


shower trap body ORIO, DN 50

Part number: 160010
 GTIN: 4001636160010
 Rebate group: 1



Description:

shower trap body ORIO, DN 50
 conforming to DIN EN 274
 with build-in height only 85 mm, for shower trays with a 90 mm outlet

specification

- trap insert, removable for cleaning, 50 mm water seal (conforming to DIN EN 1253)
- temporary blanking plate/installation key

material

polypropylene

outlet horizontal DN 50, ball-joint adjustable 0 – 15 degrees

The outlet connector can be supplied in ABS to suit British Standard sizes and PE-HD conforming to DIN EN 1519. Please enquire.

Flow rates tested to DIN EN 274:

Nominal diameter	Product standard	Min. flow rate according to norm	Water level according to norm
DN 50	DIN EN 274	0.40 l/s	15.00 mm

Spare parts:

160683 trap insert ORIO