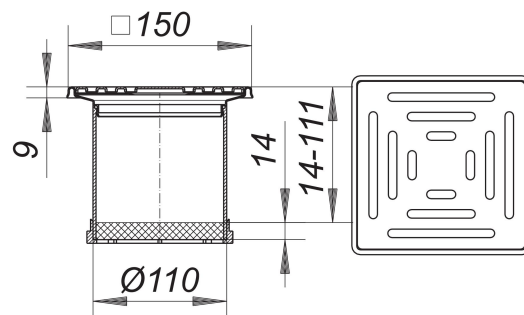


## grating SEC 10, 150 x 150 mm

Part number: 510105

GTIN: 4001636510105

Rebate group: 3



### Description:

grating SEC 10, 150 x 150 mm

used with floor drain bodies types 40, 42 and 46, with balcony drain bodies types 83 and 84, drainage elements for attic drains as well as type 85 raising piece, spigot ABS, extendable with DN 100 plastic pipe, frame 304 stainless steel, 150 x 150 mm

grate 304 stainless steel, load class K 3 (300 kg)

Some of these gratings can be supplied with d: 103 mm spigot where its use is allowed. Please enquire.

### Spare parts:

495013 drainage ring S 10