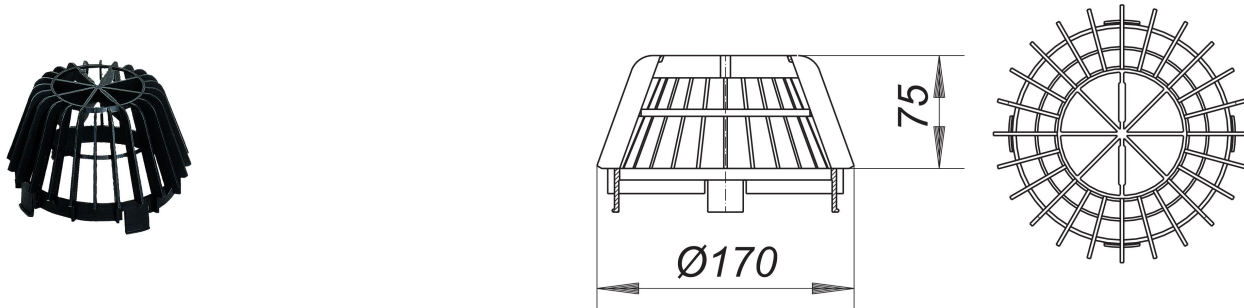


## domed grating/gravel guard S 15, d: 170 mm

Part number: 620996  
GTIN: 4001636620996  
Rebate group: 10



### Description:

domed grating/gravel guard S 15, d: 170 mm

used with roof drain types 62 and 64, renova roof drain types 63 T clamp ring and 63 T PVC, renova roof drain type 63 T DallBit (DN 150) and raising pieces type 630

material:

polypropylene, UV-stabilized

### Spare parts:

621603 roof drain type 62 H FPO, heated, DN 70