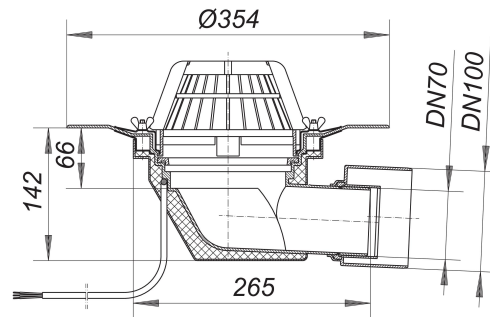


## roof drain type 64 H clamp ring, heated, DN 70/DN 100

Part number: 641175  
GTIN: 4001636641175  
Rebate group: 10



### Description:

roof drain type 64 H clamp ring, heated, DN 70/DN 100  
conforming to DIN EN 1253  
with stainless steel clamp ring to secure all single-ply membranes

#### specification:

- insulated drain body
- side outlet DN 70/DN 100, 3 degrees fall
- domed grate

#### material:

polypropylene, UV-stabilized

#### H = roof drain heated version:

- Connect to 230 V supply, conforming to VDE 0721, Part 1/3.78
- Power per drain: 15 watts
- Current per drain: 0.06 amps
- Suggested current per roof area: 16 amps

H = roof drain heated version

Connect to 230 V supply, conforming to VDE 0721, Part 1/3.78

Power per drain: 15 watts

Current per drain: 0.06 amps

Suggested current per roof area: 16 amps

DN 70 connects to BS4514 75 mm pipework with 880345 adaptor