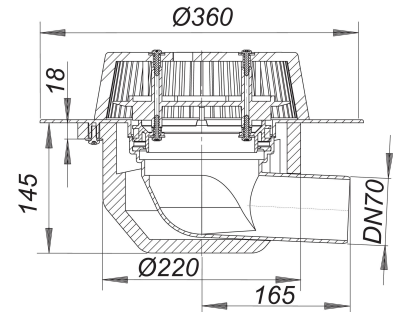


roof drain SuperDrain type 64 FPO-PP, DN 70

Part number: 671202
 GTIN: 4001636671202
 Rebate group: 10



Description:

roof drain SuperDrain type 64 FPO-PP, DN 70
 conforming to DIN EN 1253

for use with a calculated siphonic roof drainage system, with extra wide flange for welding FPO-PP membranes directly or fixing PE vapour barriers

specification:

- SuperDrain-insert
- insulated drain body
- side outlet DN 70, 3 degrees fall
- domed grate, secured

material:

polypropylene, UV-stabilized

Flow rates tested to DIN EN 1253:

Nominal diameter	Min. flow rate according to norm	Water level according to norm	Flow rate at water level 5 mm	Flow rate at water level 15 mm	Flow rate at water level 25 mm	Flow rate at water level 35 mm	Flow rate at water level 45 mm	Flow rate at water level 55 mm	Flow rate at water level 65 mm	Flow rate at water level 75 mm
DN 70	12.00 l/s	55.00 mm	0.45 l/s	1.85 l/s	3.90 l/s	9.15 l/s	15.80 l/s	18.40 l/s	18.40 l/s	18.40 l/s

Spare parts: