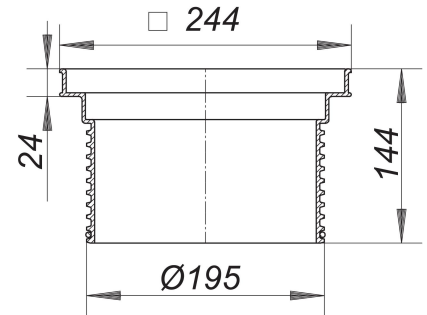


## frame type 608.0

Part number: 860507  
GTIN: 4001636860507  
Rebate group: 3



### Description:

frame type 608.0  
used with yard drain types 605, 606, 615 and 616

material:  
polypropylene  
frame in polypropylene, load class A (up to 1,5 t)

### Spare parts:

860996 ductile iron grate for 605/606/615/616