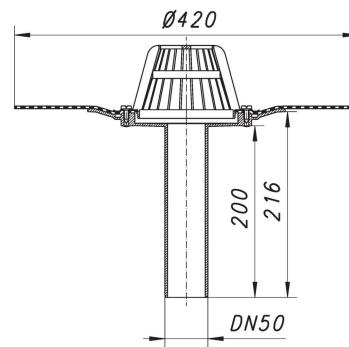


21. November 2019

**DALLMER****roof drain type 84 D DallBit, DN 50**

Product No. **832726**  
 EAN: 4001636832726  
 Discount group: 3



conforming to DIN EN 1253.  
 with d: 420 mm collar of 5.0 mm thick bituminous membrane, welded to the flange and fitted with stainless steel clamp ring

specification:

- vertical outlet
- domed grating
- temporary blanking plate

material:

polypropylene, UV-stabilized

Product No.	Description	Dimensions
495020	Back flow seal S 10, d: 110 mm	d: 110 mm
495815	domed grating/gravel guard S 10, d: 125 mm	
501240	flat grate S 10, d: 113 mm	d: 113 mm
510006	grating E 10, 100 x 100 mm	100 x 100 mm
510013	grating EC 10, 100 x 100 mm	100 x 100 mm
510082	grating ECN 10, secured grate, 100 x 100 mm	100 x 100 mm
510044	grating EN 10, secured grate, 100 x 100 mm	100 x 100 mm
510051	grating KE 10, 150 x 150 mm	150 x 150 mm
510099	grating KEN 10, secured grate, 150 x 150 mm	150 x 150 mm
510068	grating KR 10, grate with down pipe insert, 150 x 150 mm	150 x 150 mm
510105	grating SEC 10, 150 x 150 mm	150 x 150 mm

21. November 2019

**DALLMER**

---

510136	grating SEN 10, secured grate, 150 x 150 mm	150 x 150 mm
510143	grating SES 10, massive grate, secured, 150 x 150 mm	150 x 150 mm
495822	perforated collar/gravel guard S 10, d: 103 mm	
831569	raising piece type 85	
832566	raising piece type 85 DallBit	